

ORDER CODE

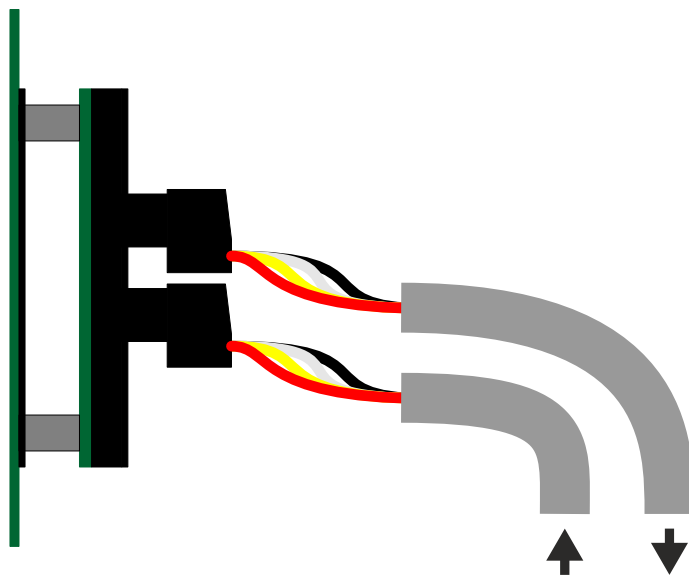
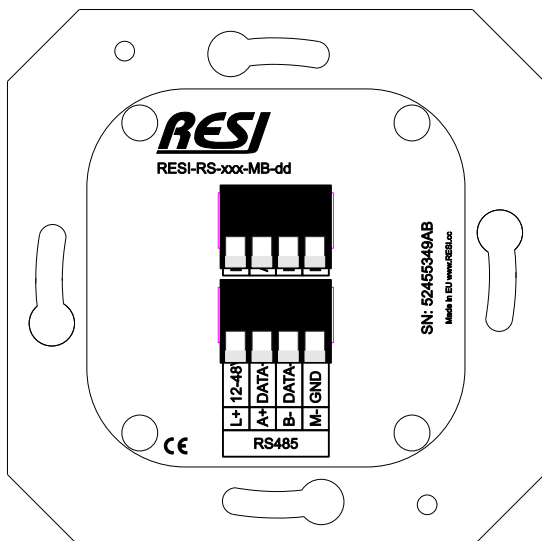
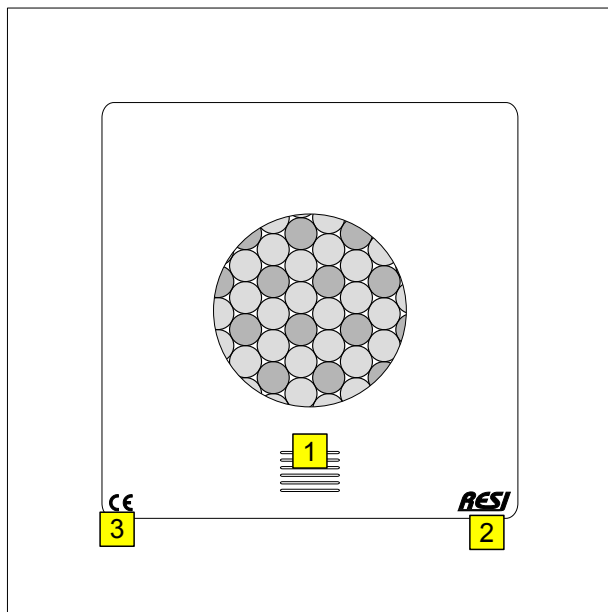
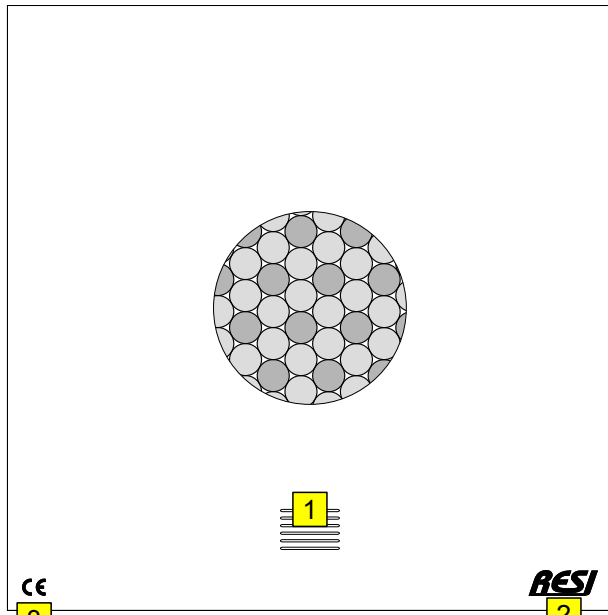
RESI-RS-xxx-MB-dd

dd:DESIGN

Select your design option

xxx:INTEGRATED SENSOR

- N1 or none:No sensors
- T1:Temperature
- TH1:Temperature+rel. humidity
- AQ1:T+rel. humidity+Air quality
- CO2:CO2 sensor
- CO2AQ1:CO2+T+rel. humidity+Air quality



ORDER CODE

RESI-RS-xxx-MB-dd

dd:DESIGN

Select your design option

xxx:INTEGRATED SENSOR

- N1 or none:No sensors
- MD1:PIR motion+brightness
- OD1:PIR occupancy+brightness
- MDT1:PIR motion+brightness+temperature
- ODT1:PIR occupancy+brightness+temperature
- MDAQ1:PIR motion+B+T+rel. H+Air quality
- ODAQ1:PIR occupancy+B+T+rel. H+Air

RESI-RS-xxx-MB-dd-oo

Raumsensoren für die Wandmontage mit serieller RS485-Schnittstelle und individuellem Design

CFG 4/4

DE

1: CUTOUT DESIGN		2: LOGO		3: CE SIGN	
<input type="checkbox"/>	A:	<input type="checkbox"/>	A: STANDARD	<input type="checkbox"/>	A: STANDARD
<input type="checkbox"/>	B:	<input type="checkbox"/>	B: NO LOGO	<input type="checkbox"/>	B: NO CE SIGN
<input type="checkbox"/>	C: NO CUTOUT	<input type="checkbox"/>	C: CUSTOM BRAND		
			Specify your brand name here: _____		

DESIGN					
<input type="checkbox"/>	RA RESI DESIGN A O: 80x80	<input type="checkbox"/>	SD55 SIEMENS DELTA I: 55x55	<input type="checkbox"/>	GE2 GIRA E2 I: 55.5x55.5
<input type="checkbox"/>	RB RESI DESIGN B O: 80x80	<input type="checkbox"/>	SD68 SIEMENS DELTA I: 68x68	<input type="checkbox"/>	BQ3 BERKER Q3 I: 59x59
<input type="checkbox"/>	RC RESI DESIGN C Φ: 90	<input type="checkbox"/>	JLS JUNG LS 982 I: 71x71	NOTE The necessary third party frames are not part of our standard product delivery and product pricing! But we can deliver those frames as extra addon products, if you want!	

BASIC MATERIAL	
<input type="checkbox"/>	White-Black
<input type="checkbox"/>	Black-White
<input type="checkbox"/>	Silver-Black
<input type="checkbox"/>	Yellow-Black
<input type="checkbox"/>	Red-White
<input type="checkbox"/>	Orange-White
<input type="checkbox"/>	Blue-White
<input type="checkbox"/>	Purple-White
<input type="checkbox"/>	Green-White
<input type="checkbox"/>	Opal Green-White
<input type="checkbox"/>	Brushed Nickel-Black
<input type="checkbox"/>	Gold-Black
<input type="checkbox"/>	Brushed Copper-Black
<input type="checkbox"/>	Deep Bronze-Black
<input type="checkbox"/>	Brushed Bronze-Black
<input type="checkbox"/>	Brushed Gold-Black
<input type="checkbox"/>	Brushed Aluminium-Black
<input type="checkbox"/>	Stainless Steel-Black
<input type="checkbox"/>	Stainless Steel-Blue