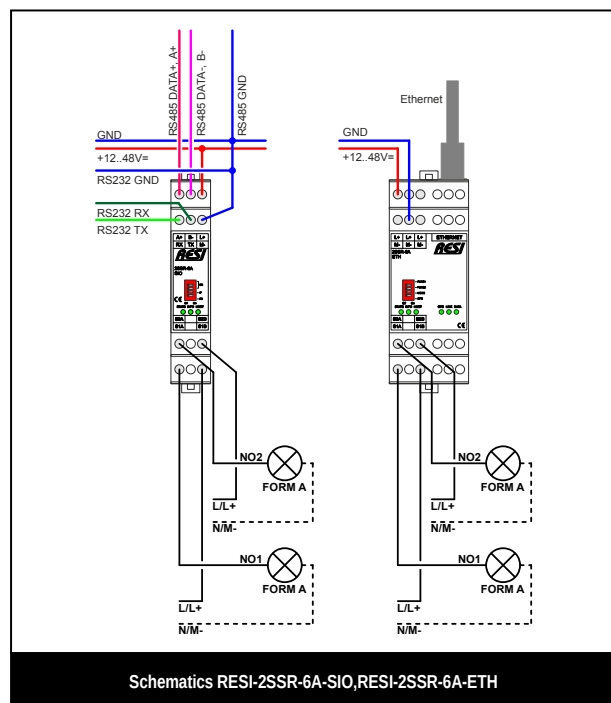
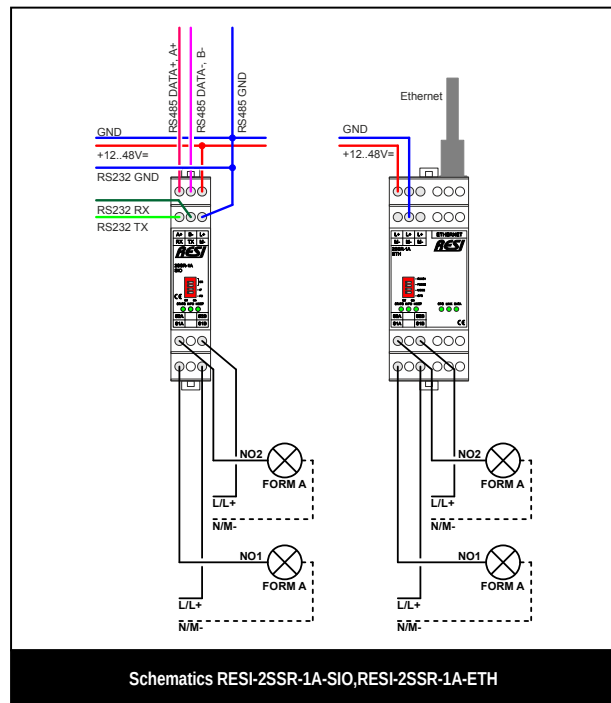


# Serial+Ethernet solid state relay output modules with MODBUS/ASCII

## RESI-2SSR-1A-SIO, RESI-2SSR-1A-ETH, RESI-2SSR-6A-SIO, RESI-2SSR-6A-ETH

Powerful IO modules with 2 solid state relays and MODBUS or ASCII protocol

Our series of ultra slim IO modules is designed for use with any host, which supports either a MODBUS/RTU master interface on RS232 or RS485 or a MODBUS/TCP interface via Ethernet. Also the modules support an ASCII protocol to be used with any media control unit like CRESTRON®, AMX® or CONTROL4®. The ASCII protocols is very useful, if you want to use our modules together with any Raspberry® PI board or Arduino® platform. The broad power supply from 12 to 48Vdc offers easy integration in many applications in the field of building automation or industrial automation.



### HIGHLIGHTS

- RESI-2SSR-1A-xxx: 2 solid state relays form A with NO contacts, 600V~, 1A
- RESI-2SSR-6A-xxx: 2 solid state relays form A with NO contacts, 60V~, 6A
- RESI-xxx-SIO: Serial interface: RS232 or RS485, MODBUS/RTU, ASCII slave
- RESI-xxx-ETH: Ethernet interface, MODBUS/TCP, ASCII server
- Power supply: 12-48Vdc

SERIAL IO MODULES	ETHERNET IO MODULES	
RESI-2SSR-1A-SIO	RESI-2SSR-1A-ETH	2xSOLID STATE RELAYS Form A <600V~, <1A
RESI-2SSR-6A-SIO	RESI-2SSR-6A-ETH	2xSOLID STATE RELAYS Form A <60V~, <6A