

Individual designed room sensors with MODBUS+ASCII protocol

RESI-RS-xxx-MB-dd-oo

Room sensors for wall mount with serial RS485 interface and individual design

Our series of room sensors offer a broad range of different sensors and individualism in design: We provide sensors for temperature, humidity, air pressure, air quality, CO2, proximity, brightness, motion or occupancy. We offer various designs, many different materials for cover plates, individual engraving and versions with RESI design and for integration into standard frames on the market: BERKER®, GIRA®, SIEMENS®, JUNG®. The room sensors communicate with your host via standard MODBUS protocol (RTU) or via simple ASCII text protocol. The communication is handled via serial RS485 line. Therefore you can address up to 256 room sensors on one bus segment with a maximum length of 1200m and a maximum speed of 256000Baud.

HIGHLIGHTS

- Room sensor with: temperature, humidity, air pressure, air quality, proximity or brightness
- Room sensors with motion or occupancy detection, IR camera
- Ambient frame illumination with integrated RGB LEDs+buzzer for alarm
- Different designs, individual cover material, logo
- Serial RS485 with MODBUS/RTU+ASCII slave protocol
- Power supply: 12-48Vdc
- Mountable in standard in-wall socket outlet

APPLICATION

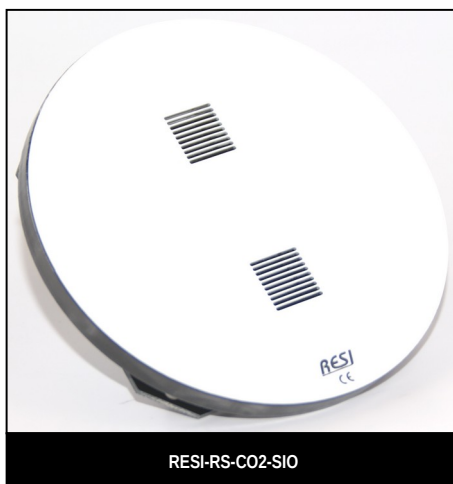
- SCADA systems
- Building management systems
- Industrial Automation
- HVAC control
- Smart Homes
- Multiroom audio
- Presentation+conference rooms

MARKETS

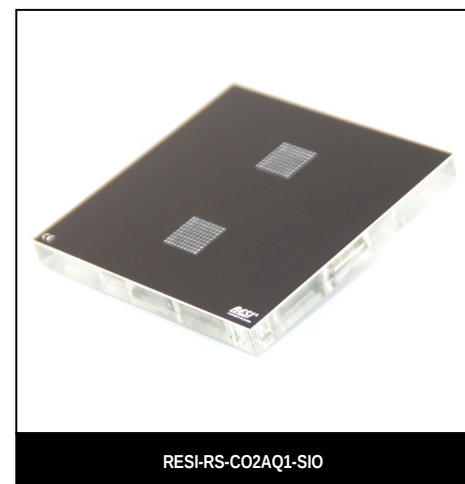
- Building automation
- Industry
- Hotels, Resorts
- Residential Automation
- Smart Cities



RESI-RS-AQ1-SIO



RESI-RS-CO2-SIO



RESI-RS-CO2AQ1-SIO



RESI-RS-MD1-SIO



RESI-RS-OD1-SIO



RESI-RS-T1-SIO

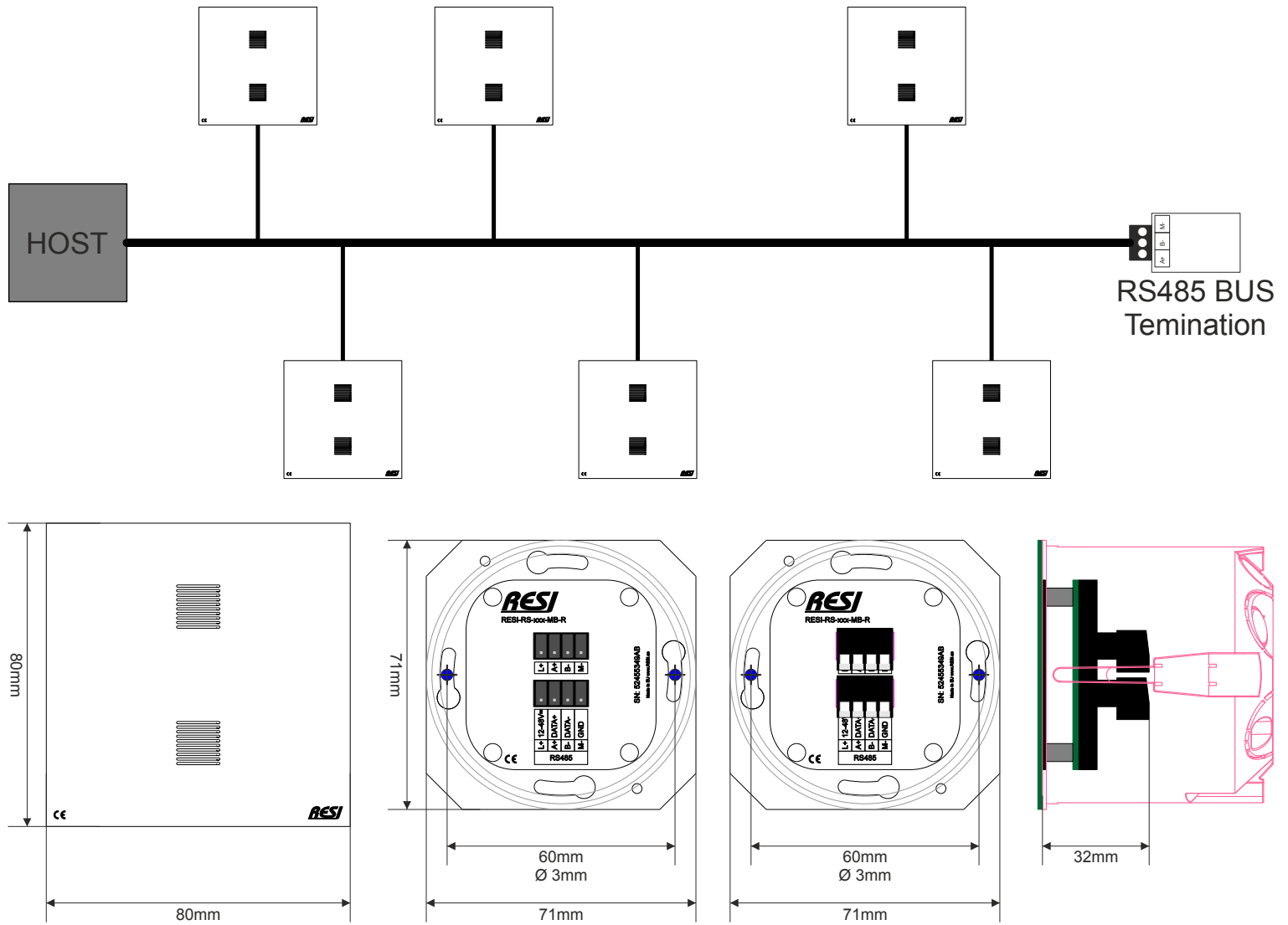
SENSOR TYPES

- RESI-RS-T1-MB-dd: Temperature sensor
- RESI-RS-TH1-MB-dd: Temperature+rel. humidity sensor
- RESI-RS-AQ1-MB-dd: Temperature, rel. humidity, air pressure, VOC sensor, calculation of abs. humidity, dew point, height above sea level
- RESI-RS-CO2-MB-dd: CO2 sensor
- RESI-RS-CO2AQ1-MB-dd: CO2, temperature, rel. humidity, air pressure, VOC sensor, calculation of abs. humidity, dew point, height above sea level
- RESI-RS-MD1-MB-dd: PIR motion, brightness sensor
- RESI-RS-OD1-MB-dd: PIR occupancy, brightness sensor
- RESI-RS-IR1-MB-dd: IR camera motion+occupancy, brightness sensor
- RESI-RS-MDT1-MB-dd: PIR motion, brightness, temperature sensor
- RESI-RS-ODT1-MB-dd: PIR occupancy, brightness, temperature sensor
- RESI-RS-IRT1-MB-dd: IR camera motion+occupancy, brightness, temperature sensor
- RESI-RS-MDAQ1-MB-dd: PIR motion, brightness, temperature, rel. humidity, air pressure, VOC sensor, calculation of abs. humidity, dew point, height above sea level
- RESI-RS-ODAQ1-MB-dd: PIR occupancy, brightness, temperature, rel. humidity, air pressure, VOC sensor, calculation of abs. humidity, dew point, height above sea level
- RESI-RS-IRAQ1-MB-dd: IR camera motion+occupancy, brightness, temperature, rel. humidity, air pressure, VOC sensor, calculation of abs. humidity, dew point, height above sea level

Individual designed room sensors with MODBUS+ASCII protocol

RESI-RS-xxx-MB-dd-oo

Room sensors for wall mount with serial RS485 interface and individual design

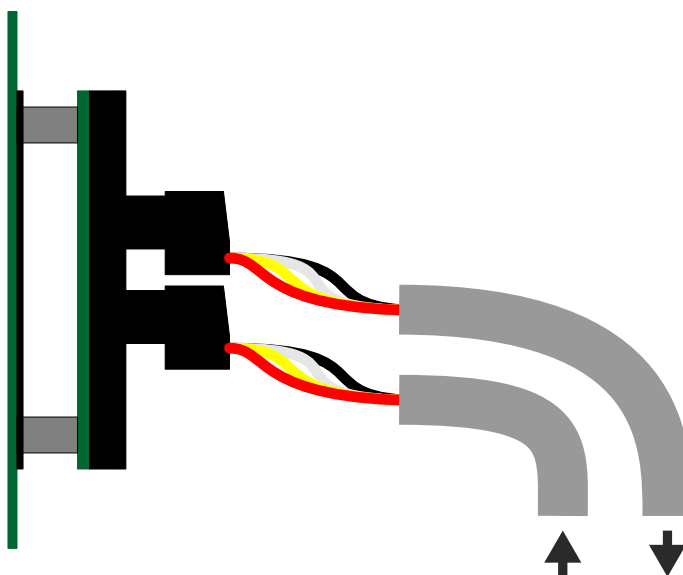
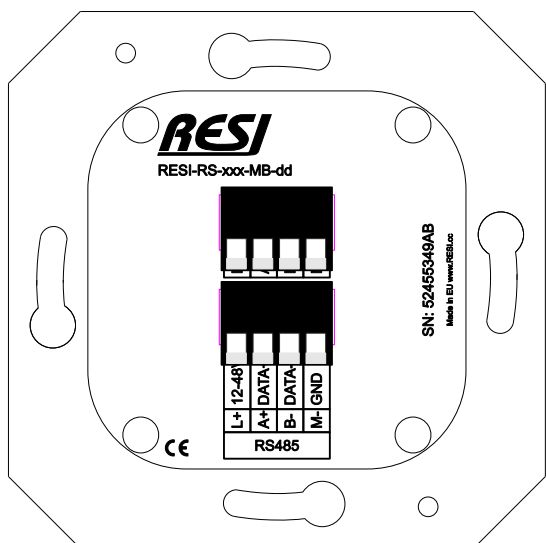
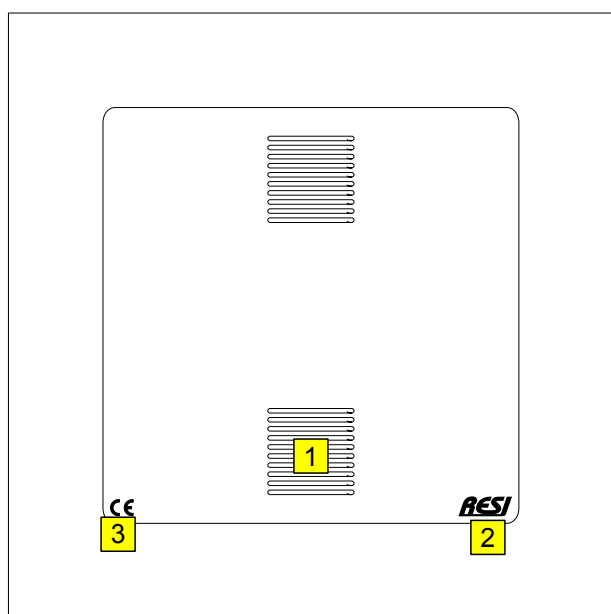
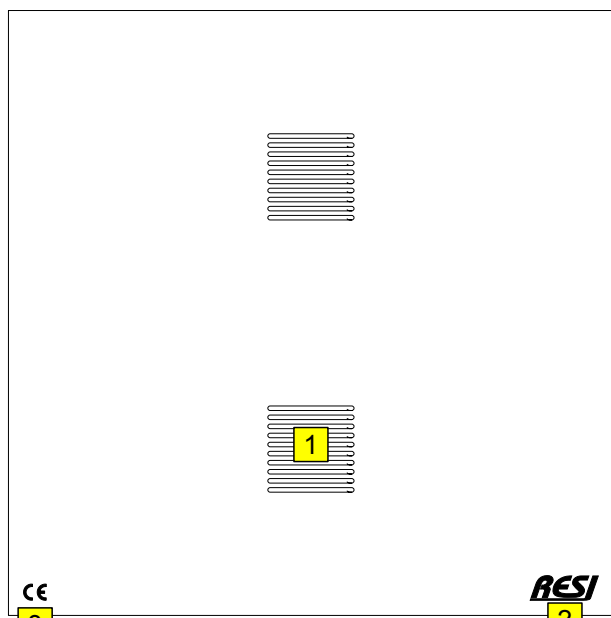


RESI-RS-xxx-MB-dd connection diagram

Individual designed room sensors with MODBUS+ASCII protocol

RESI-RS-xxx-MB-dd-oo

Room sensors for wall mount with serial RS485 interface and individual design



ORDER CODE

RESI-RS-xxx-MB-dd

dd:DESIGN

Select your design option

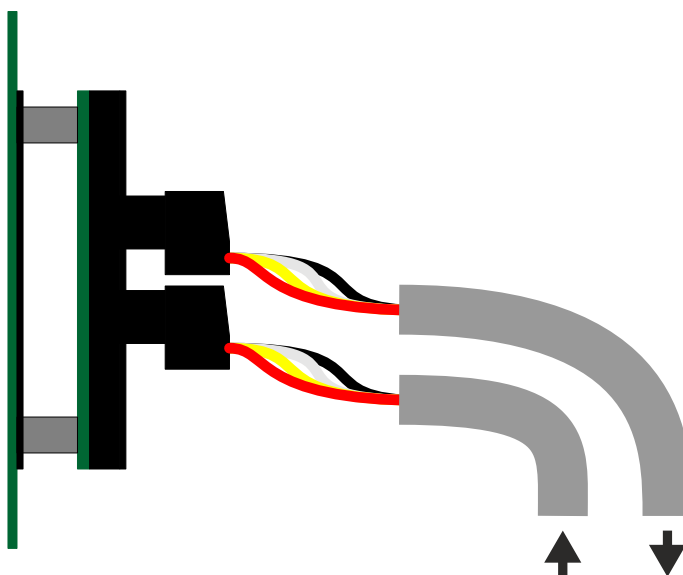
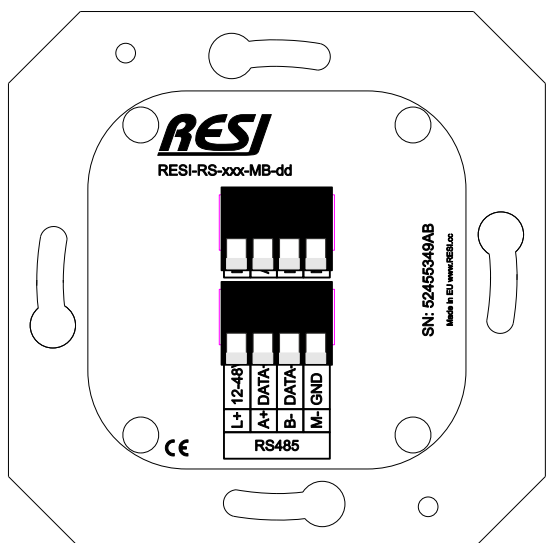
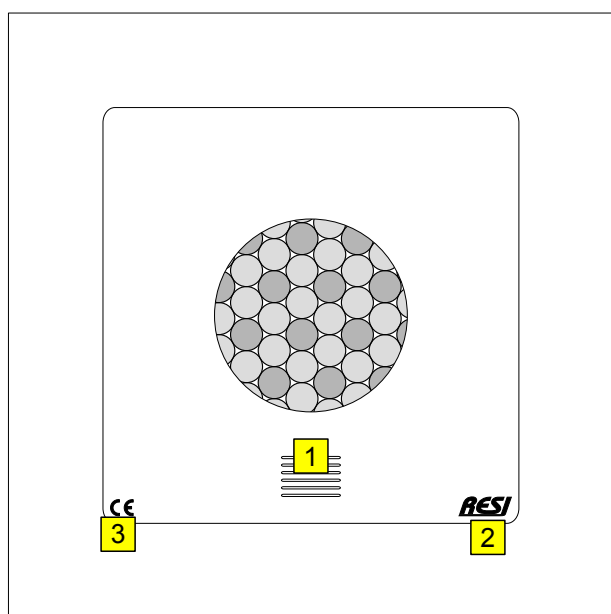
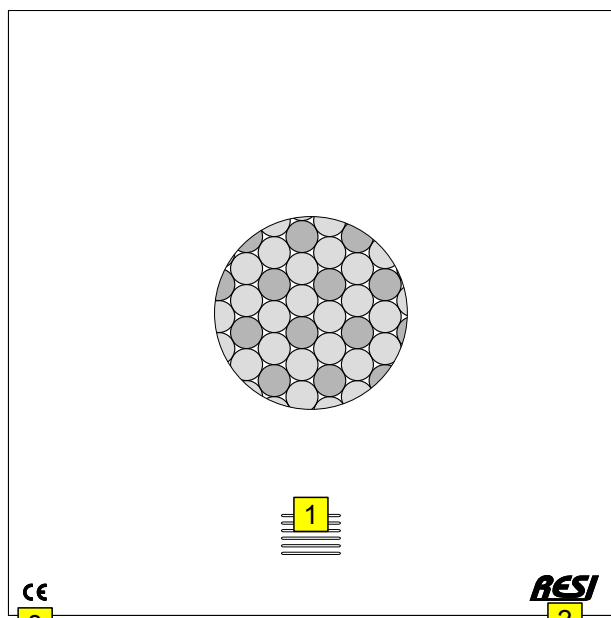
xxx:INTEGRATED SENSOR

- N1 or none:No sensors
- T1:Temperature
- TH1:Temperature+rel. humidity
- AQ1:T+rel. humidity+Air quality
- CO2:CO2 sensor
- CO2AQ1:CO2+T+rel. humidity+Air quality

Individual designed room sensors with MODBUS+ASCII protocol

RESI-RS-xxx-MB-dd-oo

Room sensors for wall mount with serial RS485 interface and individual design



ORDER CODE

RESI-RS-xxx-MB-dd

dd:DESIGN

Select your design option

xxx:INTEGRATED SENSOR

- N1 or none:No sensors
- MD1:PIR motion+brightness
- OD1:PIR occupancy+brightness
- MDT1:PIR motion+brightness+temperature
- ODT1:PIR occupancy+brightness+temperature
- MDAQ1:PIR motion+B+T+rel. H+Air quality
- ODAQ1:PIR occupancy+B+T+rel. H+Air

1: CUTOUT DESIGN		2: LOGO		3: CE SIGN	
<input type="checkbox"/>	A:	<input type="checkbox"/>	A: STANDARD	<input type="checkbox"/>	A: STANDARD
<input type="checkbox"/>	B:	<input type="checkbox"/>	B: NO LOGO	<input type="checkbox"/>	B: NO CE SIGN
<input type="checkbox"/>	C: NO CUTOUT	<input type="checkbox"/>	C: CUSTOM BRAND		
		Specify your brand name here:			

DESIGN					
<input type="checkbox"/>	RA RESI DESIGN A O: 80x80	<input type="checkbox"/>	SD55 SIEMENS DELTA I: 55x55	<input type="checkbox"/>	GE2 GIRA E2 I: 55.5x55.5
<input type="checkbox"/>	RB RESI DESIGN B O: 80x80	<input type="checkbox"/>	SD68 SIEMENS DELTA I: 68x68	<input type="checkbox"/>	BQ3 BERKER Q3 I: 59x59
<input type="checkbox"/>	RC RESI DESIGN C Φ: 90	<input type="checkbox"/>	JLS JUNG LS 982 I: 71x71	NOTE The necessary third party frames are not part of our standard product delivery and product pricing! But we can deliver those frames as extra addon products, if you want!	

BASIC MATERIAL		
<input type="checkbox"/>	White-Black	
<input type="checkbox"/>	Black-White	
<input type="checkbox"/>	Silver-Black	
<input type="checkbox"/>	Yellow-Black	
<input type="checkbox"/>	Red-White	
<input type="checkbox"/>	Orange-White	
<input type="checkbox"/>	Blue-White	
<input type="checkbox"/>	Purple-White	
<input type="checkbox"/>	Green-White	
<input type="checkbox"/>	Opal Green-White	
<input type="checkbox"/>	Brushed Nickel-Black	
<input type="checkbox"/>	Gold-Black	
<input type="checkbox"/>	Brushed Copper-Black	
<input type="checkbox"/>	Deep Bronze-Black	
<input type="checkbox"/>	Brushed Bronze-Black	
<input type="checkbox"/>	Brushed Gold-Black	
<input type="checkbox"/>	Brushed Aluminium-Black	
<input type="checkbox"/>	Stainless Steel-Black	
<input type="checkbox"/>	Stainless Steel-Blue	