

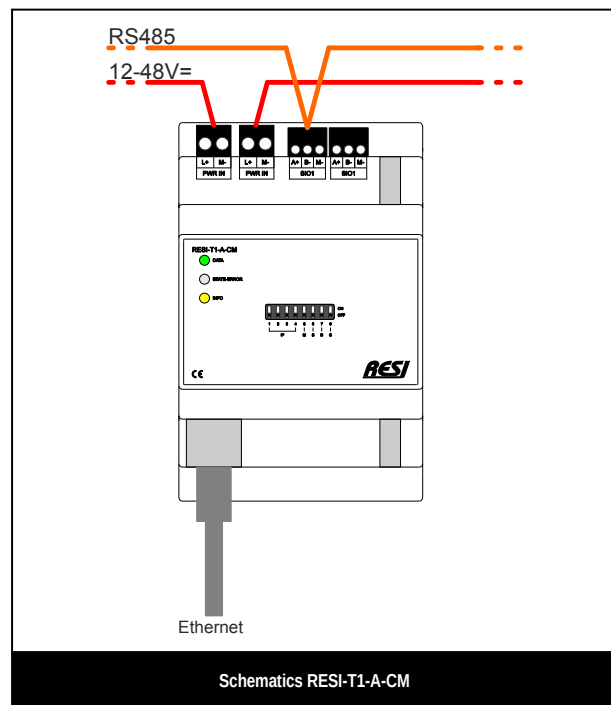
RESI-T1-x-CM:Raspberry® Pi Model B3+ based Controller with integrated RS485, LTE-M1, UMTS modem and CODESYS®

Powerful controllers based on the Raspberry® Compute Module 3+ with preinstalled CODESYS® multi core runtime license

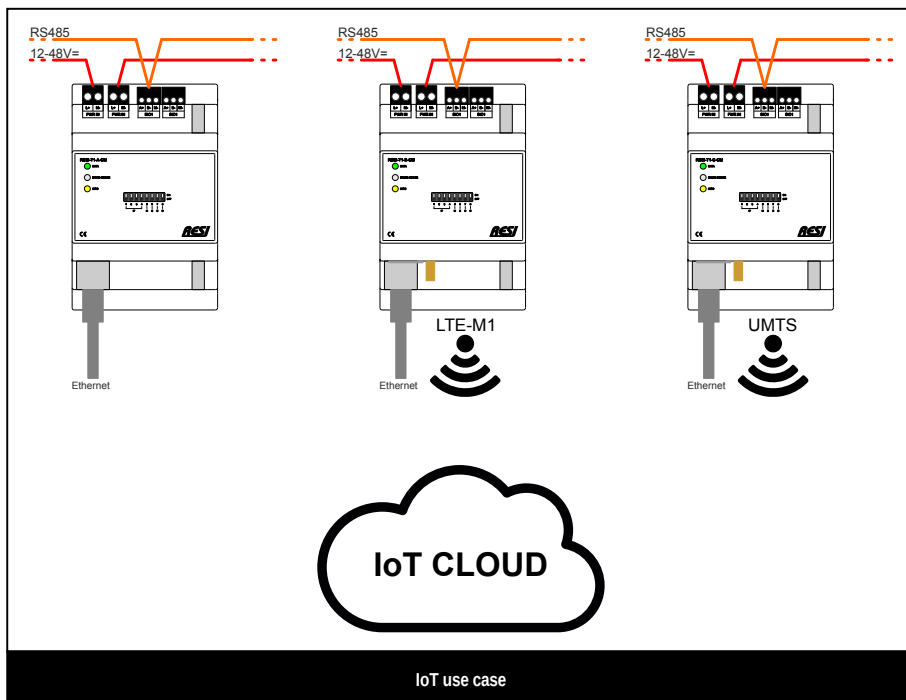
Our product range of controllers based on the Raspberry® Compute Module 3+ offers a wide field of applications in the field of industrial, IoT, building automation or greenhouse control. Run your own IEC1131 software based on CODESYS® platform on a professional industrial grade controller with 1 serial RS485 interface and a stabilized power supply from 12 to 48Vdc. Our controllers offer an integrated real time clock with battery backup, 2 USB 2.0 interfaces and Ethernet port. We offer also versions with integrated IoT ready LTE-M1 modem or UMTS modem for direct connection to the cloud. You can connect all of our MODBUS IO modules or room controllers and room sensors to this controllers or third party products.



RESI-T1-A-CM: CODESYS® controller with 1xRS485



Schematics RESI-T1-A-CM



IoT use case

HIGHLIGHTS

- based on Raspberry® Compute Module 3+, 1MB RAM, 32GB FLASH
- preinstalled CODESYS® multi core runtime license
- internal RS485 interface, real time clock with battery backup
- Ethernet and 2xUSB 2.0 interface
- 8-way DIP switch+4 status LEDs for application usage
- RESI-T1-B-CM: LTE-M1 modem, RESI-T1-C-CM: UMTS modem
- power supply 12-48V= signals

LINUX CONTROLLER

RESI-T1-A-CM

Raspberry Compute Module 3+@ based LINUX controller, 1xRS485, 2xUSB, Ethernet, 12-48V= CODESYS® multi core license preinstalled

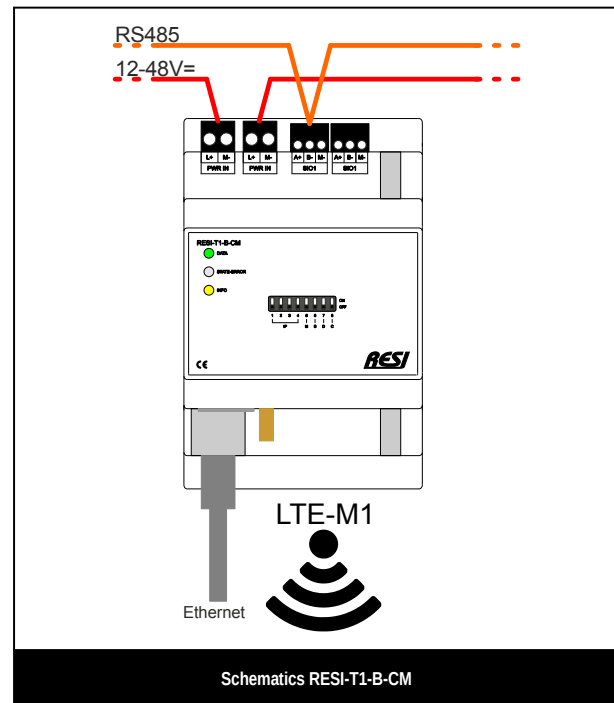
RESI-T1-x-CM:Raspberry® Pi Model B3+ based Controller with integrated RS485, LTE-M1, UMTS modem and CODESYS®

Powerful controllers based on the Raspberry® Compute Module 3+ with preinstalled CODESYS® multi core runtime license

Our product range of controllers based on the Raspberry® Compute Module 3+ offers a wide field of applications in the field of industrial, IoT, building automation or greenhouse control. Run your own IEC1131 software based on CODESYS® platform on a professional industrial grade controller with 1 serial RS485 interface and a stabilized power supply from 12 to 48Vdc. Our controllers offer an integrated real time clock with battery backup, 2 USB 2.0 interfaces and Ethernet port. We offer also versions with integrated IoT ready LTE-M1 modem or UMTS modem for direct connection to the cloud. You can connect all of our MODBUS IO modules or room controllers and room sensors to this controllers or third party products.



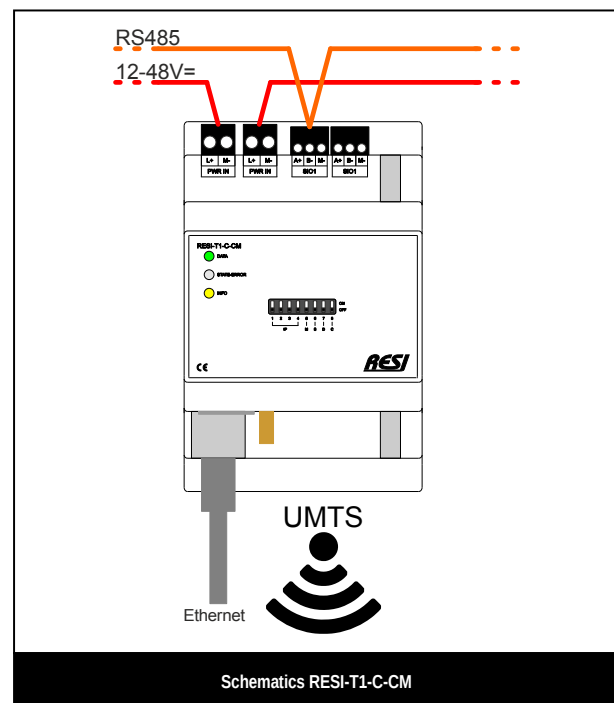
RESI-T1-B-CM: CODESYS® controller with 1xRS485 and LTE-M1 modem



Schematics RESI-T1-B-CM



RESI-T1-C-CM: CODESYS® controller with 1xRS485 and UMTS modem



Schematics RESI-T1-C-CM

HIGHLIGHTS

- based on Raspberry® Compute Module 3+, 1MB RAM, 32GB FLASH
- preinstalled CODESYS® multi core runtime license
- internal RS485 interface, real time clock with battery backup
- Ethernet and 2xUSB 2.0 interface
- 8-way DIP switch+4 status LEDs for application usage
- RESI-T1-B-CM: LTE-M1 modem, RESI-T1-C-CM: UMTS modem
- power supply 12-48V= signals

LINUX CONTROLLER	
RESI-T1-B-CM	Raspberry Compute Module 3+@ based LINUX controller, build in LTE-M1 modem and SIM card holder, 1xRS485, 2xUSB, Ethernet, 12-48V= CODESYS® multi core license preinstalled
RESI-T1-C-CM	Raspberry Compute Module 3+@ based LINUX controller, build in UMTS modem and SIM card holder, 1xRS485, 2xUSB, Ethernet, 12-48V= CODESYS® multi core license preinstalled