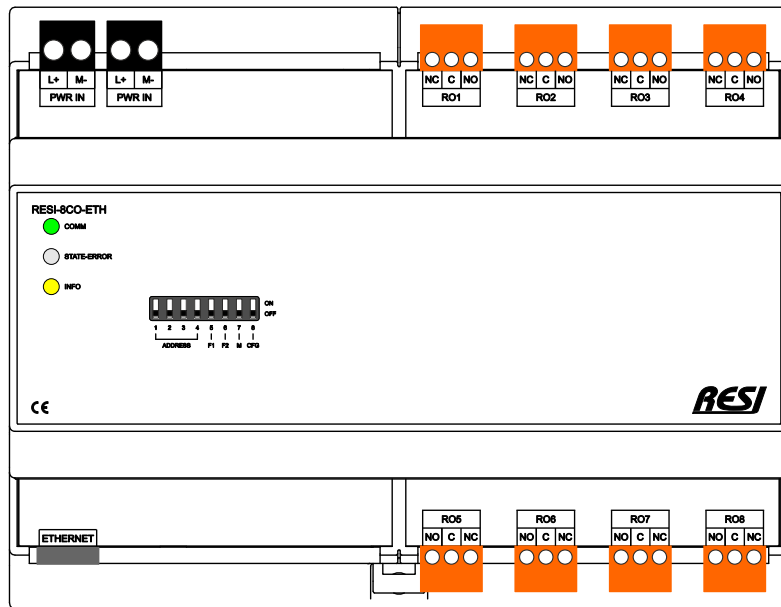


RESI-8CO-ETH

Our powerful IO module for a MODBUS/TCP or ASCII text socket protocol host with Ethernet interface. The IO module offers 8 Form C relay outputs for AC/DC signals.



DIN EN 50022 Snap-on for DIN-Rail	ON-WALL Mounting on-wall	ETHERNET	XT8 143x110x62mm	12-48V= Power supply	8xFormC	
-----------------------------------------	-----------------------------	----------	---------------------	-------------------------	---------	--

8 Relay Outputs	RELAY OUTPUT Form C	≤30V= ≤250V~ ≤8A AgSnO ₂
-----------------------	------------------------	----------------------------------------------

Functionality
IO module with 8 relay outputs for switching AC or DC signals.