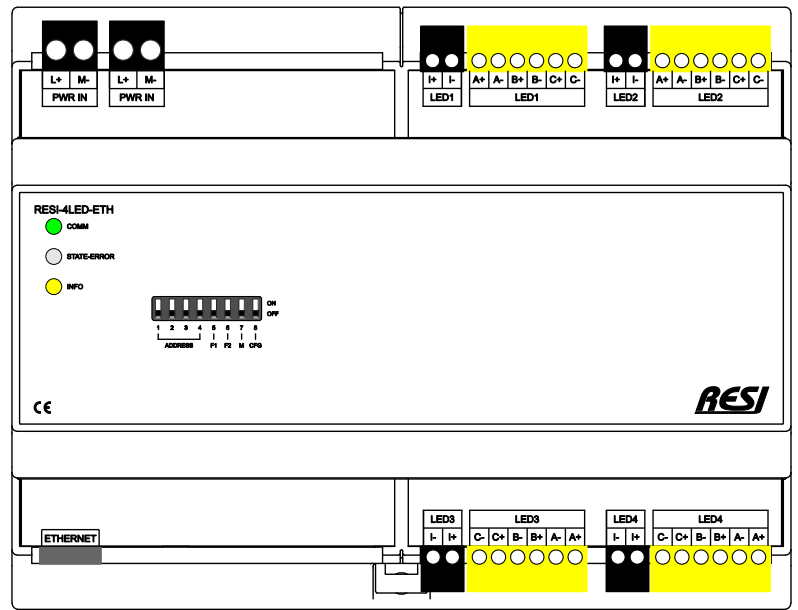
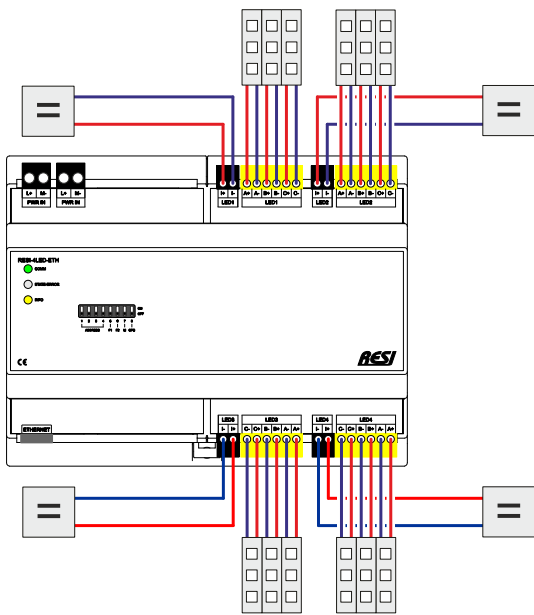


# RESI-4LED-ETH

Our powerful IO module for a MODBUS/TCP or ASCII text socket protocol host with Ethernet interface.

The IO module is a 12 channel PWM dimmer module for LED stripes with constant voltage and common anode organized in 4 groups with own DC power supplies for every group  $\leq 60V=$   $\leq 15A$ .



DIN EN 50022 Snap-on for DIN-Rail	ON-WALL Mounting on-wall	ETHERNET	XT8 143x110x62mm	12-48V= Power supply	12xPWM for LED Stripes
---	-----------------------------	----------	---------------------	-------------------------	---------------------------

12 PWM Outputs	PWM OUTPUT for LED Stripes organized in 4 groups with 3 PWM dimmer each	$\leq 60V=$ $\leq 5A/channel$
-------------------	---	----------------------------------

### Functionality

IO module with 12 PWM outputs for dimming LED stripes with constant voltage and common anode. The IO module offers 4 groups with 3 PWM dimmer outputs each. Module is designed to use RGB, dual white or mono colour LED stripes. Each PWM output channel can drive 5A maximum current. External power supply for LED stripes (e.g. 12V= or 24V=)  $\leq 60V=$  and  $\leq 15A$  for each group necessary.