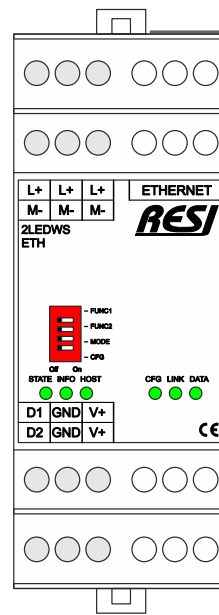
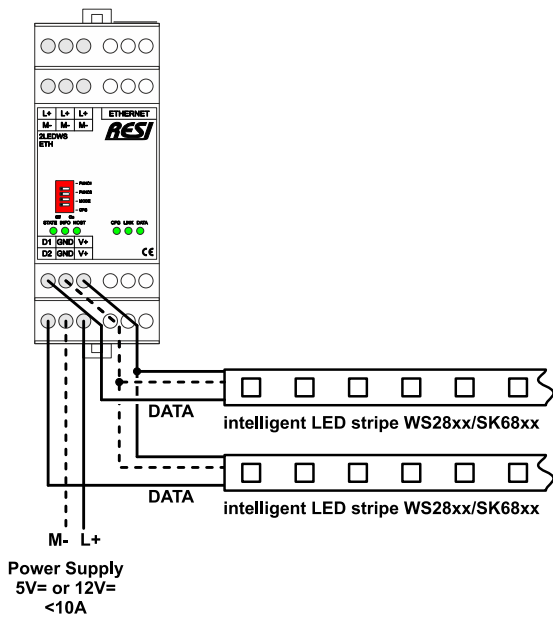


# RESI-2LEDWS-ETH

Our powerful IO module for a MODBUS/TCP or ASCII text socket protocol host with Ethernet interface. The IO module is a two channel module to control up to 512 WS28xx LEDs on each channel.



DIN EN 50022 Snap-on for DIN-Rail	ETHERNET
CEM35 35.8x90x56.4mm	12-48V= Power supply

2 Channels 512 LEDs/channel	PROTOCOL OUTPUT for WS28xx LED Stripes	+5V or +12V LED supply
--------------------------------	---	---------------------------

**Functionality**  
 IO module with 2 channels to control intelligent WS28xx LED stripes. Each LED stripe can have up to 512 LEDs, which are individually controllable. We support RGB and RGBW LED stripes. External power supply for LED stripes with +5V or +12V necessary.