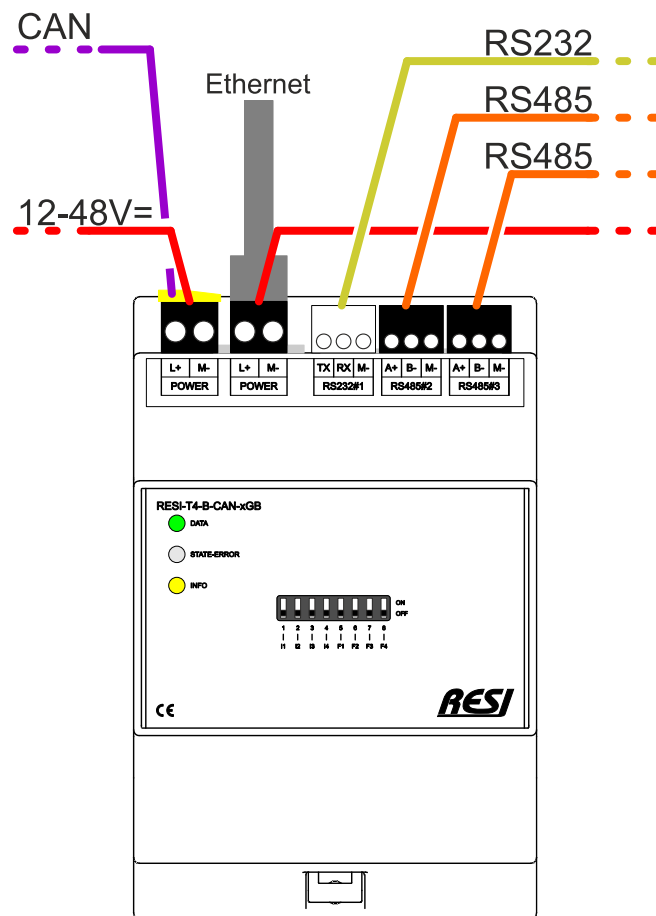


RESI-T4-B-CAN-xGB

Our powerful controller for almost any IoT, Building Automation or Industrial Automation task. Based on the Raspberry Pi® 4 Model B series with 2/4/8GB build in RAM, 32 GB SD CARD and stable 12-48Vdc power supply, Ethernet WLAN, Bluetooth, USB, HDMI and audio interfaces. LINUX is preinstalled. Additional versions with preinstalled CODESYS® runtime or Node Red, OpenHAB,... available. Additional build-in serial interfaces and CAN 2.0B interface.



Raspberry Pi4 Model B inside	2/4/8GB RAM	32GB SD CARD	LINUX preinstalled	1xRS232 serial interface	2xRS485 serial interface auto flow control	1xCAN 2.0B serial interface 1MBit/s, MCP2515
ON-WALL Mounting on-wall	XT4 72x110x62mm	LEDs+DIP for status+settings	WLAN/BLE integrated	Functionality Raspberry Pi 4® Model B based Controller with preinstalled LINUX® One RS232 interface and two RS485 interfaces with automatic direction control, mapped as native ttyACMx devices in LINUX, build-in CAN 2.0B interface DIP switch+status LEDs for setup and health display Integrated real time-clock and ferromagnetic RAM Options for preinstalled CODESYS® runtime		
DIN EN 50022 Snap-on for DIN-Rail	12-48V= Power supply	2xHDMI for 4k displays	1xEthernet 3xUSB			

