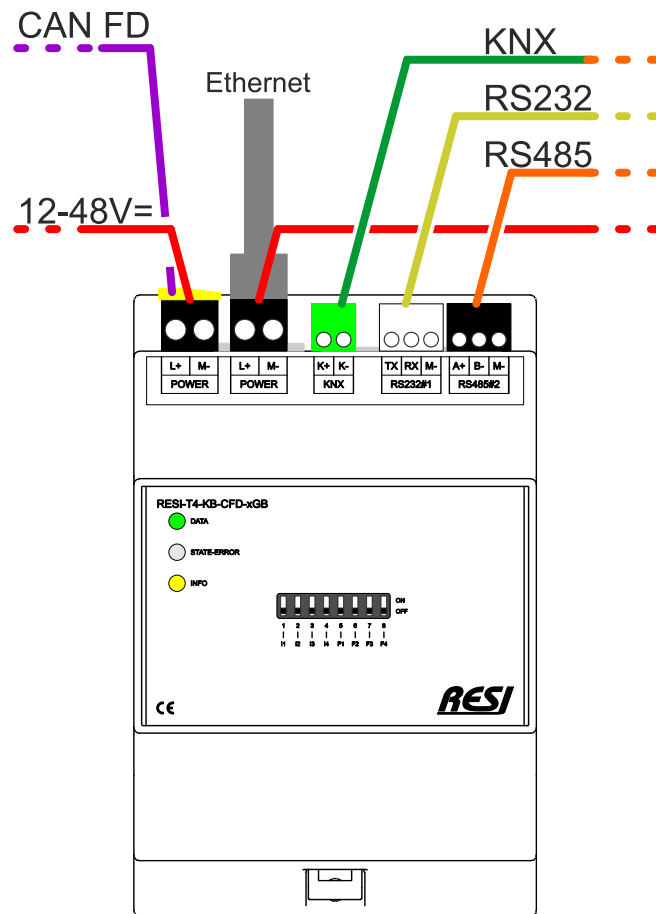


RESI-T4-KB-CFD-xGB

Our powerful controller for almost any IoT, Building Automation or Industrial Automation task. Based on the Raspberry Pi® 4 Model B series with 2/4/8GB build in RAM, 32 GB SD CARD and stable 12-48Vdc power supply, Ethernet WLAN, Bluetooth, USB, HDMI and audio interfaces. LINUX is preinstalled. Additional versions with preinstalled CODESYS® runtime or Node Red, OpenHAB,... available. Additional build-in KNX and serial interfaces and CAN FD+2.0B interface



| | | | | | | | |
|-----------------------------------|----------------------|------------------------------|---------------------|--|--|---------------|--|
| Raspberry Pi4 Model B inside | 2/4/8GB RAM | 32GB SD CARD | LINUX preinstalled | 1xRS232 serial interface | 1xRS485 serial interface auto flow control | KNX interface | 1xCAN 2.0B serial interface 1MBit/s, MCP2515 |
| ON-WALL Mounting on-wall | XT4 72x110x62mm | LEDs+DIP for status+settings | WLAN/BLE integrated | Functionality Raspberry Pi 4® Model B based Controller with preinstalled LINUX® One KNX interface, one RS232 interface and one RS485 interface with automatic direction control mapped as native ttyACMx devices in LINUX, build-in CAN FD+2.0B interface DIP switch+status LEDs for setup and health display Integrated real time-clock and ferromagnetic RAM Options for preinstalled CODESYS® runtime | | | |
| DIN EN 50022 Snap-on for DIN-Rail | 12-48V= Power supply | 2xHDMI for 4k displays | 1xEthernet 3xUSB | | | | |

